

## Sounder/Flasher with 2 Inputs BUS-2



Sounder/Flasher with 2 Inputs BUS-2

### Sounder/Flasher with 2 Inputs BUS-2

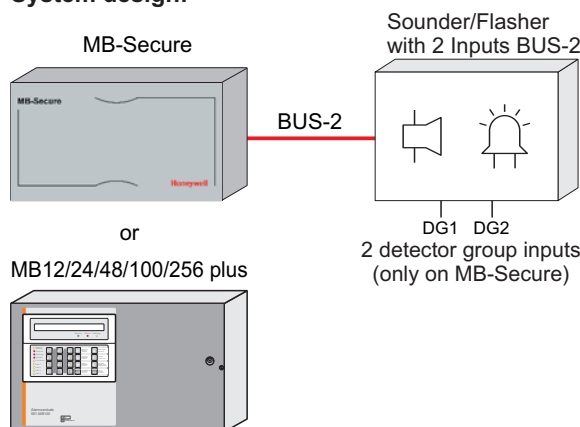
- Akustical- and optical alarm devices
- 2 Detector group inputs

The Sounder/Flasher with 2 Inputs BUS-2 is intended for extension of a MB-Secure- or MB12/24/48/100/256 plus series intruder panel with control and power supply over BUS-2.

When operated at the MB/MB-Secure panel a sounder and a flasher with individual setting of impulse, brightness, and loudness and two free programmable detector group inputs are available.

Also there is a compatibility mode provided for operation at MB12/24/48/100/256 plus panels as 5-output-module BUS-2. In this case five different operation modes for the sounder/flasher are available, the inputs are not supported in compatibility mode.

### System design:



## Features

- **Operation at BUS-2**
- **Optical alarm device** (high-power LEDs)
- **Akustical alarm device** (Piezo sounder)
- **Optical- and akustical alarm device can be activated separately**
- **Cover contact and Tear-off protection**
- **Operation at MB-Secure control panel**
  - 2 Detector group inputs
  - EOL-resistor programmable from 4k to 14k (depending on monitoring area)
  - Monitoring area programmable ( $\pm 20\%$  /  $\pm 30\%$  /  $\pm 40\%$ )
  - Impulse, brightness, and loudness individually programmable
  - Firmware update via BUS-2

- **Operation at MB12/24/48/100/256 plus control panel**
  - Operation as 5 Output Module (compatibility mode, Detector groups without function)
  - Output functions (not changeable):

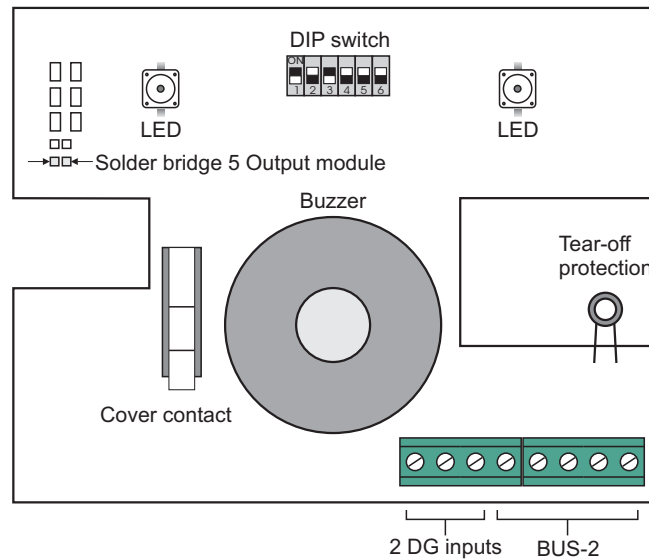
| Output | Function     |                                   |
|--------|--------------|-----------------------------------|
| 1      | Opt. Signal  | Impulse 1 Hz, low brightness      |
| 2      | Acoust. Sig. | Intervall 2 Hz, max. loudness     |
| 3      | Opt. Signal  | Impulse 0.5 Hz, medium brightness |
| 4      | Opt. Signal  | Static on, max. brightness        |
| 5      | Acoust. Sig. | Static on, max. loudness          |

### Certifications:

**VdS** -approval G114021 (Class C, IDS)

EN 50131-3 grade 3, Class II  
SES-EMA-RL-T2:2010-08

## Interior view




## Technical data

|                                        |                                                                                                  |
|----------------------------------------|--------------------------------------------------------------------------------------------------|
| Rated operating voltage                | 12 V DC                                                                                          |
| Operating voltage range                | 9 V to 15 V DC                                                                                   |
| Current consumption at $U_b=12$ V DC:  |                                                                                                  |
| - Detector groups open                 | $\leq 4.0$ mA                                                                                    |
| - Detector groups terminated with 12k1 | $\leq 0.4$ mA in addition per detector group                                                     |
| - Acoustical signalling device         | $\leq 50$ mA (optical alarm device off)                                                          |
| - Optical signalling device            | $\leq 25$ mA (acoustical alarm device off)                                                       |
| 2 Detector group inputs:               |                                                                                                  |
| - Voltage                              | 3.3 V DC, stabilized, short-circuit protected                                                    |
| - Monitoring range                     | 12k1 $\pm$ 40% (standard setting)<br>4k to 14k, $\pm$ 20% / $\pm$ 30% / $\pm$ 40% (programmable) |
| Loudness akustical alarm device        | adjustable up to approx. 100 dB(A)                                                               |
| Protection class as per DIN 40 050     | IP30                                                                                             |
| Environmental class as per VdS         | II                                                                                               |
| Environmental class as per EN 50131-1  | Class II                                                                                         |
| Operating temperature range            | -10 °C to +45 °C                                                                                 |
| Storage temperature range              | -25 °C to +70 °C                                                                                 |
| Relative humidity                      | 75% non-condensing                                                                               |
| Weight                                 | 190 g                                                                                            |
| Dimensions (W x H x D)                 | 110 x 103 x 53 mm                                                                                |
| Colour                                 | traffic white (similar to RAL 9016)                                                              |

## Ordering informations



044500

| Item no. | Description                                                                                                                                                                                                   |
|----------|---------------------------------------------------------------------------------------------------------------------------------------------------------------------------------------------------------------|
| 044500   | <b>Sounder/Flasher with 2 Inputs BUS-2</b><br> -approval G114021<br>EN 50131-3, Grade 3, Class II<br>SES-EMA-RL-T2:2010-08 |

### Honeywell Security Group

Novar GmbH  
 Johannes-Mauthe-Str. 14 · 72458 Albstadt  
 Tel. +49(0) 74 31/801-0 · Fax 801-12 20  
[www.honeywell.com/security/de](http://www.honeywell.com/security/de)  
[info.security.de@honeywell.com](mailto:info.security.de@honeywell.com)

P00192-22-0G0-03  
 07.2016 · Subject to change without notice.  
 © 2016 Honeywell International Inc.

**Honeywell**